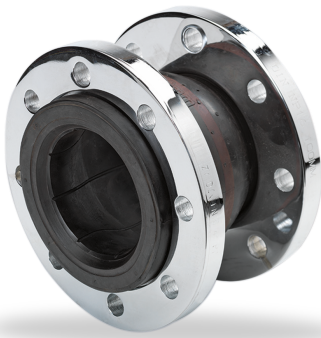


RELY ON EXCELLENCE

D Type expansion joints

Expansion joints | Rubber expansion joints



Features

- Transportation or piping systems that carry fluids, slurries or gasses under pressure or vacuum at varying temperatures
- Reduction of vibration
- Dampen sound transmission
- Compensate movements due thermal changes, misalignments caused by wear, load stresses, settling of supporting foundations
- Molding production with long radius arch
- Standard measures (length)

Advantages

- Easy installation, flanges can be rotated
- For installation with "torsional misalignments"
- Flanges are not in contact with medium, which enables lower grade material
- Galvanic surfaces/ coatings possible
- Gaskets can be eliminated
- Additional movement capabilities
- Self cleaning arch (no need filler material)
- Economic

Operating range

Diameter: DN 25 ... DN 750 (1" ... 30"),
Pressure up to 16 bar (232 PSI)
Temperature up to 110 °C (230 °F)
Movements: all directions

Materials

- Bellows: Various elastomers such as EPDM, EPDM Food Grade, Neoprene, Nitrile, Hypalon, Viton
- Flanges: carbon steel and stainless steel

Other materials are available on request.

Standards and approvals

NDT and documentation: Can be provided per customer request e.g. Material Certificates and NDT test reports.

Recommended applications

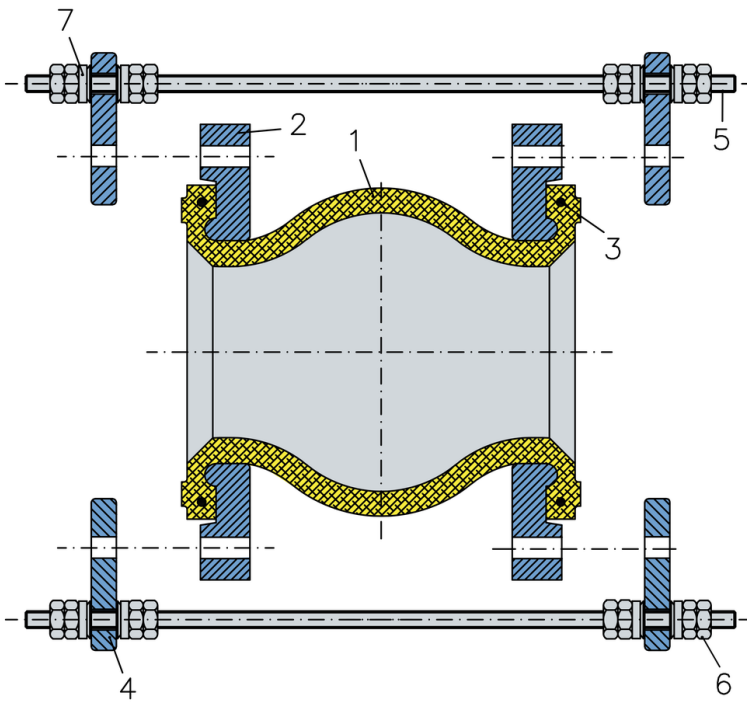
- Air conditioning, heating and ventilating systems in industrial buildings and vessels
- Central and ancillary power generating stations in industrial buildings, factories, ships and offshore applications
- Sewage disposal and water treatment plant, pumps, etc.
- Process piping in pulp and paper plants
- Piping systems for chilled or hot water
- Cooling systems for power generation
- Feed water and draining lines for water works, sewage, sanitary piping systems etc.
- Oil lines for industrial plants, shipyards, phosphate plants etc.

RELY ON EXCELLENCE

D Type expansion joint

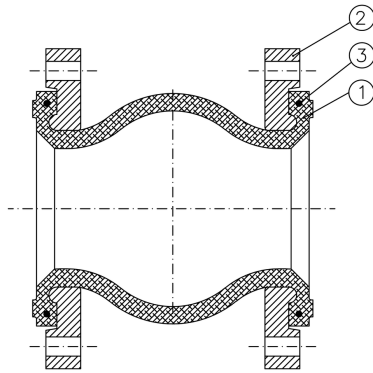
Item Description

- 1 Rubber bellows
- 2 Flanges
- 3 Reinforcement ring
- 4 Loose bracket
- 5 Tie rods
- 6 Nuts
- 7 Spherical washers



RELY ON EXCELLENCE

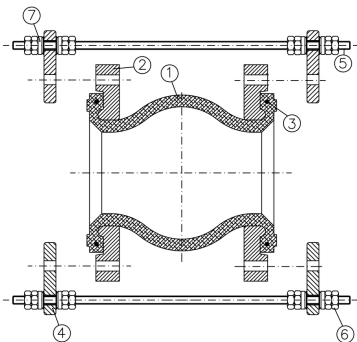
Installation, details, options



D type without tie rods

Item Designation

- 1 Rubber bellows
- 2 Flanges
- 3 Reinforcement ring



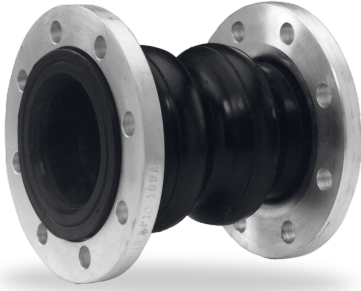
D type with tie rods

Item Designation

- 1 Rubber bellows
- 2 Flanges
- 3 Reinforcement ring
- 4 Loose brackets
- 5 Tie rods
- 6 Nuts
- 7 Spherical washers

RELY ON EXCELLENCE

Product variants



D type double arch

Higher maximum movements, lower spring rates.



D type PTFE liner

High temperatures or chemical attack. Not recommended for negative pressure.

RELY ON EXCELLENCE

Dimensions

DN mm	DN inch	Length mm	Pressure BarG	Axial compression mm	Axial extension mm	Lateral mm	Angular °
25	1	130	16	13	9	13	15
25	1	150	16	13	9	13	15
32	1 1/4	130	16	13	9	13	15
32	1 1/4	150	16	13	9	13	15
40	1 1/2	130	16	13	9	13	15
40	1 1/2	150	16	13	9	13	15
50	2	130	16	13	9	13	15
50	2	150	16	13	9	13	15
65	2 1/2	130	16	13	9	13	15
65	2 1/2	150	16	13	9	13	15
80	3	130	16	13	9	13	15
80	3	150	16	13	9	13	15
80	3	200	16	13	9	13	15
100	4	130	16	13	9	13	15
100	4	150	16	19	13	13	15
100	4	200	16	19	13	13	15
125	5	130	16	13	9	13	15
125	5	150	16	19	13	13	15
125	5	200	16	19	13	13	15
150	6	130	16	13	9	13	15
150	6	150	16	19	13	13	15
150	6	200	16	19	13	13	15
200	8	130	16	13	9	13	15
200	8	200	16	25	16	19	15
250	10	130	16	13	9	13	10
250	10	200	16	25	16	19	15
250	10	230	16	25	16	19	15
250	10	250	16	25	16	19	15
300	12	130	16	13	9	13	10
300	12	200	16	25	16	19	15
300	12	230	16	25	16	19	15
350	14	200	10	25	16	19	15
400	16	200	9	25	16	19	15
450	18	200	9	25	16	19	15
500	20	200	9	25	16	19	15
550	22	250	8	25	16	19	15
600	24	250	7.5	25	16	19	15
650	26	250	7.5	25	16	19	10
700	28	250	7.5	25	16	19	10
750	30	250	7.5	25	16	19	10